

arcx SL30 stacklight

INDUSTRIAL

FEATURES

- 90 dB buzzer
- 360° viewing angle
- Distinct color separation
- Light weight, compact design
- Solid state LED lights

MECHANICAL

- Standard 5-pin MINI connector (male)
(Brad Harrison 1A5002-34 type)
- 7/8" -16UN internal threading
- Solid connection – no detachable components*
- IP61 construction
- Mates with Mencom MIN-5FR series
or BH equivalent
- Length = 8.38" (202.6mm)
Ø (buzzer) = 1.74" (44.2mm)
Ø (shaft) = 1.25" (32mm)

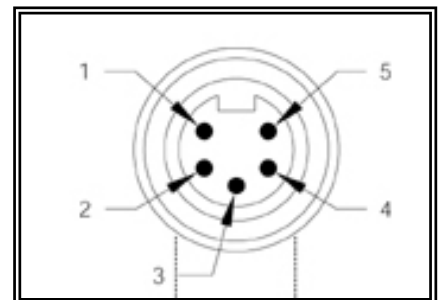
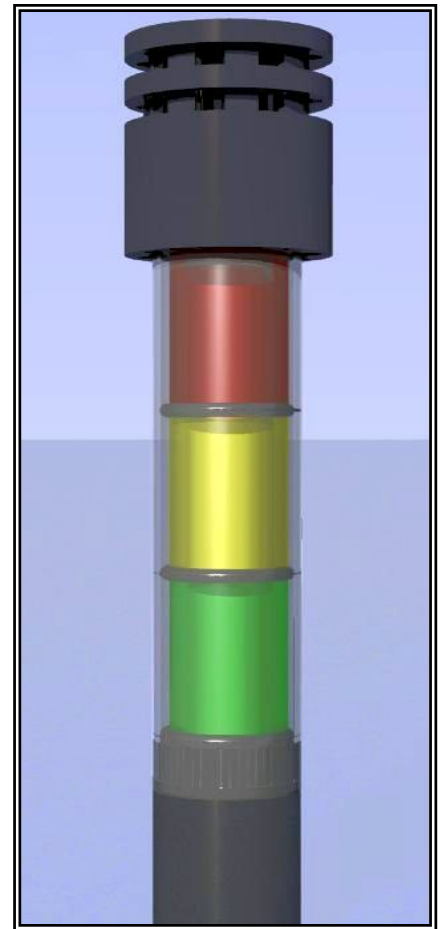
**Assembly does not come apart, NO user serviceable or modifiable parts inside*

| PIN DESCRIPTION | | | |
|-----------------|--------------|-----------------|-----------------|
| Pin | Description | Nominal Voltage | Maximum Voltage |
| 1 | Common | - | - |
| 2 | Buzzer | 24V | 30V |
| 3 | Green Light | 24V | 30V |
| 4 | Yellow Light | 24V | 30V |
| 5 | Red Light | 24V | 30V |

**apply operational voltage to respective pin to activate buzzer or lights*

| ORDERING INFORMATION | |
|----------------------|-----------------------------------|
| Part # | Description |
| AXM-SL30-L000 | Mini Integrated Stacklight (32mm) |

Call 1-888-WWW-ARCX or 905 513-9160
sales@arcx.com | www.arcx.com



Bottom view (male connector)

